

HAPAX ROCK

Easy install foundation system


HAP04



Characteristics

- Replaces the concrete foundations
- 100% environmental friendly
- Excellent for environmentally sensitive areas
- Very easy and very fast to install
- Completely removable and reusable
- Permanent adjustment within a range of 35-250mm • 1-3/8 to 9-3/4"
- Includes beam support
- Each extension: adds up to 160mm • 6⁵/₁₆" more height
- Up to 5 extension lengths can be installed to 1 Hapax Rock
- Head diameter: 123mm • 4-7/8" for joist up to 120x200mm • 4-3/4x 7-7/8"
- Material: polypropylene
- Freeze resistant: -50°C / -58°F
- Heat resistant: 90°C / 194°F
- Shear resistance up to 1000kg / 2,200lb
- Maximum weight per Hapax Rock: 1500kg / 3,300lb

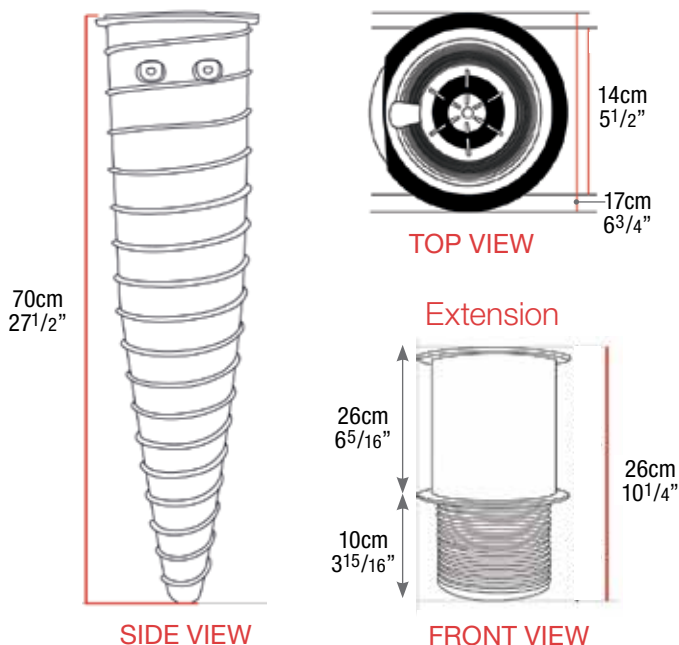
Check with your engineer or building department to ensure product is suitable for use with your project.

Product Code	EAN Code	
HAP040140700	54104394737842	1

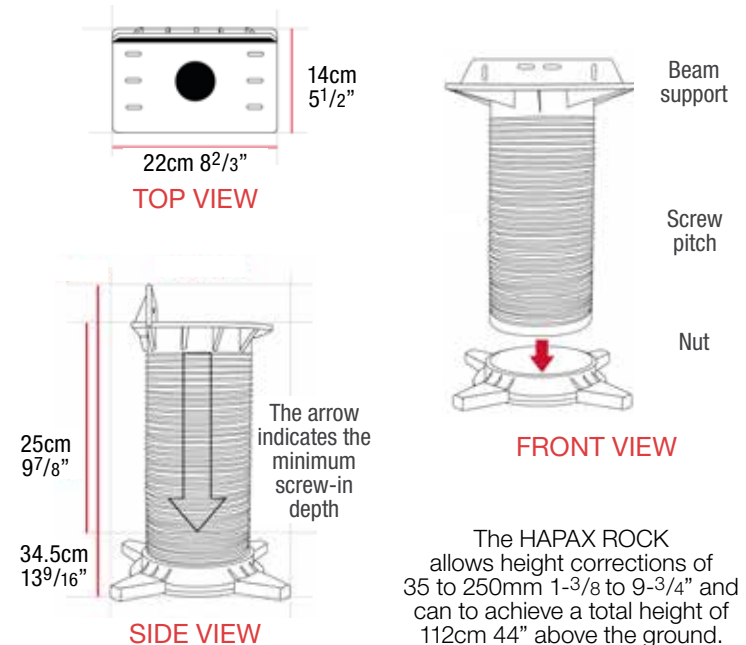
Installation

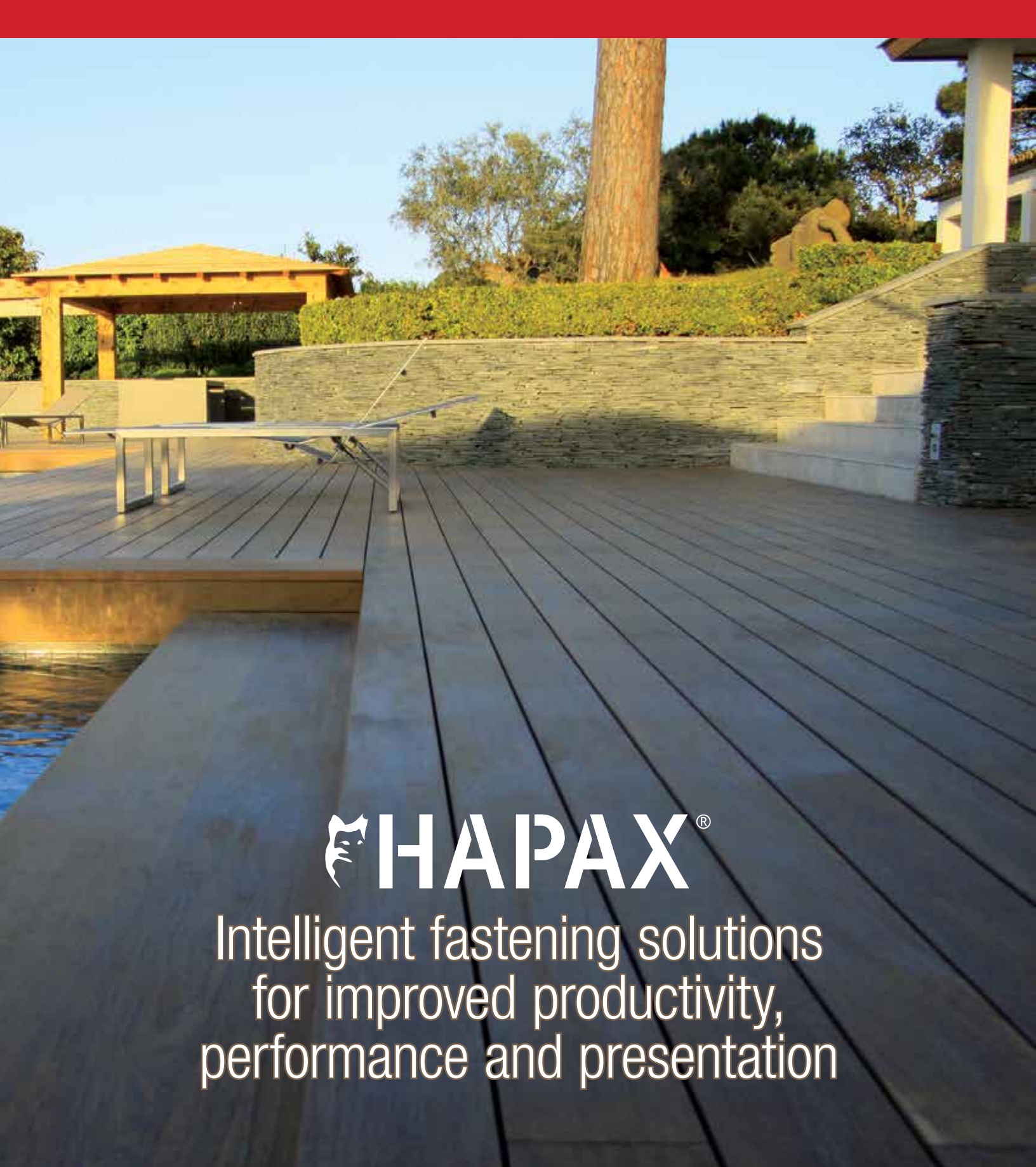


Technical details - Screw Foundation



Technical details - Adjustable Head





HAPAX[®]

Intelligent fastening solutions
for improved productivity,
performance and presentation

Quality by 

www.pgb-europe.com

North American representation by:



DHS
DECK HARDWARE SOLUTIONS

sales@deckhardwaresolutions.com
647.376.3204
163 Booth Avenue
Toronto, ON M4M 2M5 CANADA
deckhardwaresolutions.com